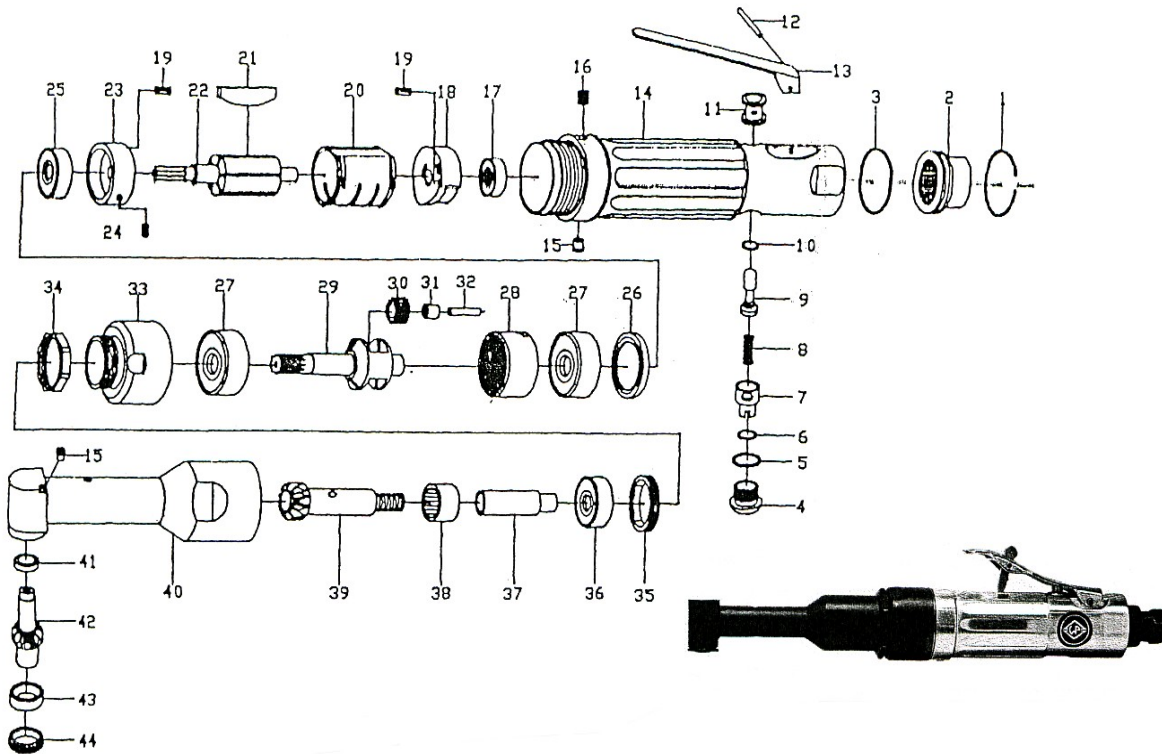




D225A90

90 DEGREE ANGLE DRILL

Wespro Pneumatic Tools



<u>No.</u>	<u>Description</u>	<u>Order Code</u>	<u>Qty</u>	<u>No.</u>	<u>Description</u>	<u>Order Code</u>	<u>Qty</u>
1	Retaining Ring	144846	1	24	Pin	144889	1
2	Muffler	144847	1	25	Ball Bearing	112038	1
3	O-Ring	144848	1	26	Spacer	144870	1
4	Plug	144879	1	27	Ball Bearing	112041	2
5	O-Ring	144849	1	28	Ring Gear	144871	1
6	O-Ring	144850	1	29	Carrier	144872	1
7	Regulator	144852	1	30	Idler Gear	144873	2
8	Spring	144853	1	31	Needle Bearing	144874	2
9	Valve Stem	144854	1	32	Pin	144875	2
10	O-Ring	144855	1	33	Adaptor	144876	1
11	Valve Bushing	144856	1	34	Lock Ring	144877	1
12	Pin	144857	1	35	Lock Ring	144878	1
13	Throttle Lever	144858	1	36	Ball Bearing	112024	1
14	Motor Housing	144845	1	37	Adaptor	144890	1
15	Grease Fitting	144862	2	38	Needle Bearing	144879	1
16	Set Screw	144863	1	39	Bevel Gear	144891	1
17	Ball Bearing	128454	1	40	Angle Housing	177386	1
18	Rear End Plate	144865	1	41	Ball Bearing	144892	1
19	Pin	144866	2	42	Geared Spindle	144924	1
20	Cylinder	144867	1	43	Ball Bearing	139955	1
21	Rotor Blade	144868	5	44	Lock Ring	177387	1
22	Rotor	144869	1	40A	Angle Housing Ass'y (parts #35 ~ #44)	177575	1
23	Front End Plate	144888	1				