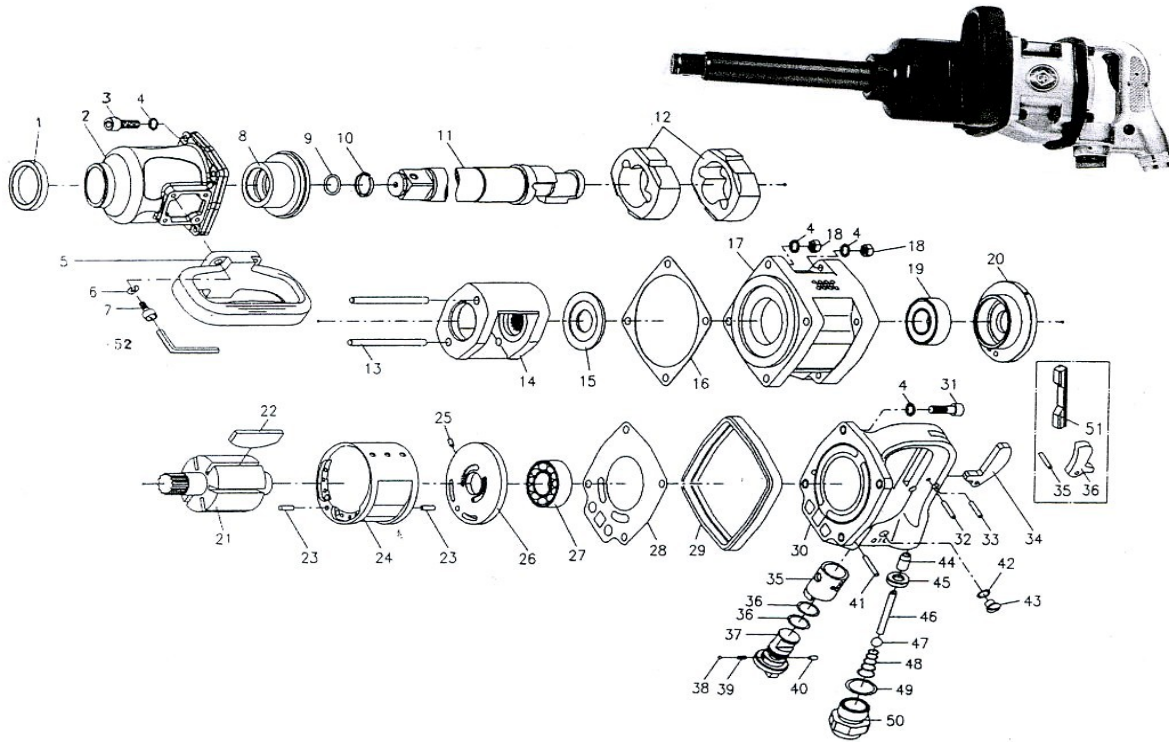




W1000BHD-6 & W1000BHD-S6

1" IMPACT WRENCH

Wespro Pneumatic Tools



<u>No.</u>	<u>Description</u>	<u>Order Code</u>	<u>Qty</u>	<u>No.</u>	<u>Description</u>	<u>Order Code</u>	<u>Qty</u>
1	Oil Seal	WP 00-4218	1	26	Rear End Plate	WP 315-009	1
2	Hammer Case	WP 315-002A	1	27	Ball Bearing	WP 00-2319A	1
3	Cap Screw	WP 00-0118	4	28	Rear Gasket	WP 368-022	1
4	Spring Washer	WP 00-1804	16	29	Housing Band	WP 322-031	1
5	D-Type Handle	WP 310-048B	1	30	Handle Frame	WP 315-004	1
6	Spring Washer	WP 00-1803	4	31	Cap Screw	WP 00-0103	4
7	Cap Screw	WP 00-0119	4	32	Spring Pin	WP 00-3305	1
8	Anvil Bushing	WP 315-010-B	1	33	Pin	WP 00-3401	1
9	O-Ring	WP 00-4124	1	34	Trigger (Inner)	WP 328-024	1
10	Anvil Collar	WP 310-038	1	35	Reverse Valve Bushing	WP 328-020	1
11	Anvil Standard	WP 315-011A8-C	1	36	O-Ring	WP 00-4155	2
	Anvil 6" Extended	WP 315-011B8-C		37	Regulator	WP 368-021	1
	Anvil #5 Spline 6" Extended			38	Steel Ball	WP 00-3802	1
12	Hammer	WP 315-017	2	39	Spring	WP 322-023	1
13	Hammer Pin	WP 315-016	2	40	Spring Pin	WP 00-3307	1
14	Hammer Cage	WP 315-012-B	1	41	Spring Pin	WP 00-3338	1
15	Rear Washer	WP 328-019	1	42	O-Ring	WP 00-4123	1
16	Front Gasket	WP 310-033-B	1	43	Oil Chamber Screw	WP 310-031	1
17	Motor Housing	WP 368-001	1	44	Valve Bushing	WP 310-026	1
18	Lock Nut	WP 00-2001	10	45	Bushing	WP 310-039	1
19	Ball Bearing	WP 00-2301A	1	46	Valve Stem	WP 322-026	1
20	Front End Plate	WP 328-005	1	47	Steel Ball	WP 00-3804	1
21	Rotor	WP 315-007	1	48	Spring	WP 322-027	1
22	Rotor Blade	WP 328-008	6	49	O-Ring	WP 00-4130	1
23	Spring Pin	WP 00-3311	2	50	Air Inlet 1/2" NPT	WP 322-028C	1
24	Cylinder	WP 315-006	1	51	Rubber Protector	WP 328-025	1
25	Spring Pin	WP 00-3314	1	52	Allen Wrench	WP 00-3906	1